

(No Model.)

H. AYRES.
LADDER STEP.

No. 335,051.

Patented Jan. 26, 1886.

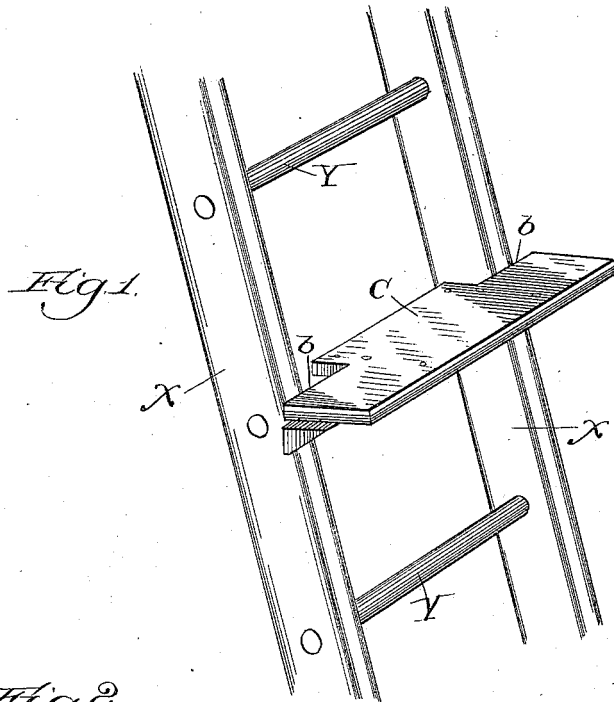


Fig. 1.

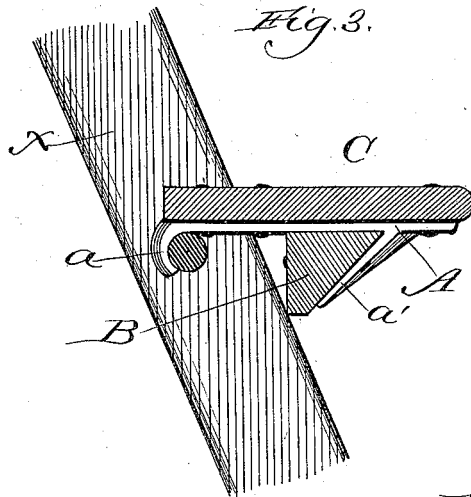
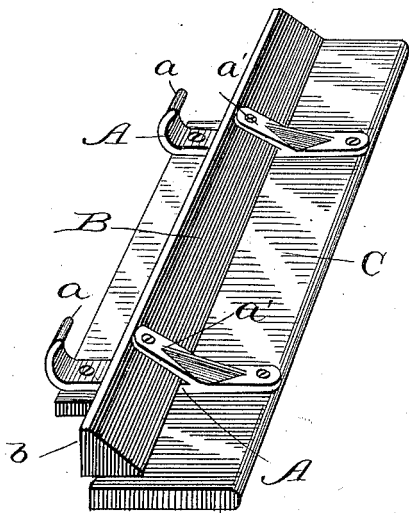


Fig. 3.

Witnesses:
 Chas. Gayford
 Arthur Johnson.

Inventor:
 Hobart Ayres
 By Chas. B. Brown.
 H. E. Ayres

UNITED STATES PATENT OFFICE.

HOBART AYRES, OF CHICAGO, ILLINOIS.

LADDER-STEP.

SPECIFICATION forming part of Letters Patent No. 335,051, dated January 26, 1886.

Application filed December 18, 1885. Serial No. 186,058. (No model.)

To all whom it may concern:

Be it known that I, HOBART AYRES, a citizen of the United States, residing at Chicago, in the county of Cook and State of Illinois, have invented certain new and useful Improvements in Steps for Use with Ladders, in other words, Ladder-Steps; and I hereby declare the following to be a full description of the same, when taken in connection with the drawings accompanying and forming a part hereof.

The object of my invention is to secure a step which may be easily attached to the rungs of a ladder when the same is in position for use, for the purpose of forming a more convenient and suitable support for the person using the step than is afforded by the rung of the ladder, and to secure in an ordinary ladder when my improved ladder-step is used all the advantages to be derived from the common step-ladder.

One or more steps may be placed upon the ladder, and thus, if desired, it is entirely practicable to obtain a step-ladder by the use of my invention in connection with an ordinary ladder.

In the drawings, Figure 1 is a perspective of a portion of a ladder having placed thereon a ladder-step. Fig. 2 is a perspective illustrating the under side of my improved ladder-step. Fig. 3 is a sectional view of the ladder-step attached to a portion of a ladder.

Like letters refer to like parts throughout the several views.

X X are the stiles of a ladder. Y Y are the rungs.

A is a metal piece forming the foundation of the step, and having hook *a* and brace or hook *a'* thereon.

B is a bar, preferably of wood.

C is the platform forming the step.

b b illustrates a corner of platform B, which is cut away in order that the step may be attached to a ladder.

Platform C is attached or secured to metal pieces A A, but does not, except to a limited extent, receive any of the thrust resulting from the placing of a weight thereon when the step is attached to a ladder, the bar B and hook *a* being placed, as illustrated, in such a manner as to receive all or nearly all the strain or thrust occasioned therefrom. Bar B is held firmly in position by projection *a'* on metal piece or foundation A.

In order to detach my improved step from a ladder, it is merely necessary to raise the outer edge or edge farthest from the rung of the ladder slightly, thus allowing the step to partially rotate around the rung, when the whole step may be lifted entirely free therefrom.

By the peculiar shape given to the metal piece A, with hooks or projections *a* and *a'*, entire security is given to the step and great durability secured, the weight upon the step being properly distributed throughout said metal piece A, and no undue strain or wrench given to the screws or nails or other material used to attach the several pieces forming the completed step together.

Having thus described my invention and its construction, what I claim, and desire to secure by Letters Patent, is—

In a ladder-step, the combination of pieces A A, having projections *a a'* thereon, with bar B and platform C, all substantially as described, and for the purpose set forth.

HOBART AYRES.

Witnesses:

FRED W. SAWYER,
CHARLES T. BROWN.